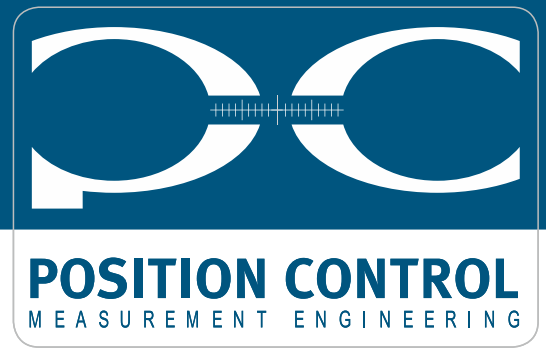


# Distance Sensor Typ: PC-PTR



## Datasheet



- Spring actuating rod
- Mountable with round Clamps
- With large angle of free movement
- 5 k-ohm analog output or digital Modbus RS 485
- Maximum angular movement up to 30°
- Measurement stroke up to 250 mm
- Absolute measurement of displacement
- Very long life up to 100 million movements
- High speed operating speed 5 m/s
- The grooves provide an excellent alternative to usual system

PC-PTR is built easy mounting by a plastic clamp. It's a high precision analog industrial motion transducer with long lasting conductive track suitable for absolute position measuring in control and Measurement applications. Designed for the direct and absolute measurement of displacement or angle in control and regulation applications. Mechanical fixing and self-aligning linkage High resolution (0.01 mm) combined with stroke length up to 250 mm permits the accurate measurement of linear displacement.

### PC-PTR Series 5 K-Ohm or digital RS 485 Modbus Output (with ADC-4 Unit)

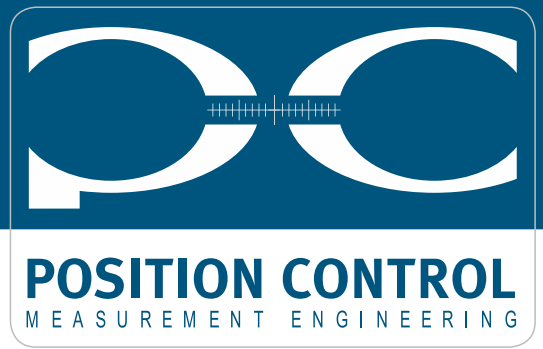
Transducers are mainly used in :

Geotechnical Engineering  
Crack Meter  
Distance Measurement  
Extensometer Control  
Structural Monitoring  
Transfer Machines  
Hydraulic Machines  
Bending Presses  
Textil Machines

Technical Specifications	
Measurement Ranges [mm]	50 - 100 - 150 - 200 - 250 (other strokes on demand)
Output Signals	5 K-Ohm or RS 485 Digital Modbus
Independent Linearity	± 0,2% analog and ± 0,1% digital *(24 bit ADC)
Electrical Connection	4 pin male socket
Power Supply	24 VDC or 9-30 Volt Modbus Version
Resistance	5 K-Ohm ±10% tolerance
Temperature Range	-20°C +100°C
Life	100 million movements
Mechanical Fixing	With Clamp
Rod Material	Stainless steel
Housing Material	Anodized aluminium

\* Precision ± 0,1% digital only with special Calibration included Protocol Sheet

# Distance Sensor Typ: PC-PTR



## Order Code

### Model No

### Defined Stroke Range

Several standard lengths from 50 mm to 250 mm  
\*other lengths on request

P	T	R	-	0	5	0	-	C
---	---	---	---	---	---	---	---	---

### Output



- C : 5k Ohm Analog Output
- D : RS 485 Digital Modbus ASCII

### Included in Delivery

Digital Option / 4 pin Cable electronic

## Connections

### Layout sensor cable end 5k Ohm

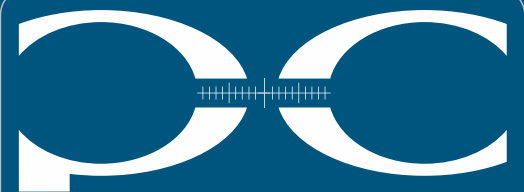
PIN No.	Colour internal wire	Layout
1	Yellow	VCC
2	Red	Output
3	Green	Ground

### Fixing Clamp



FC16 34x26/20/20

# Distance Sensor Typ: PC-PTR

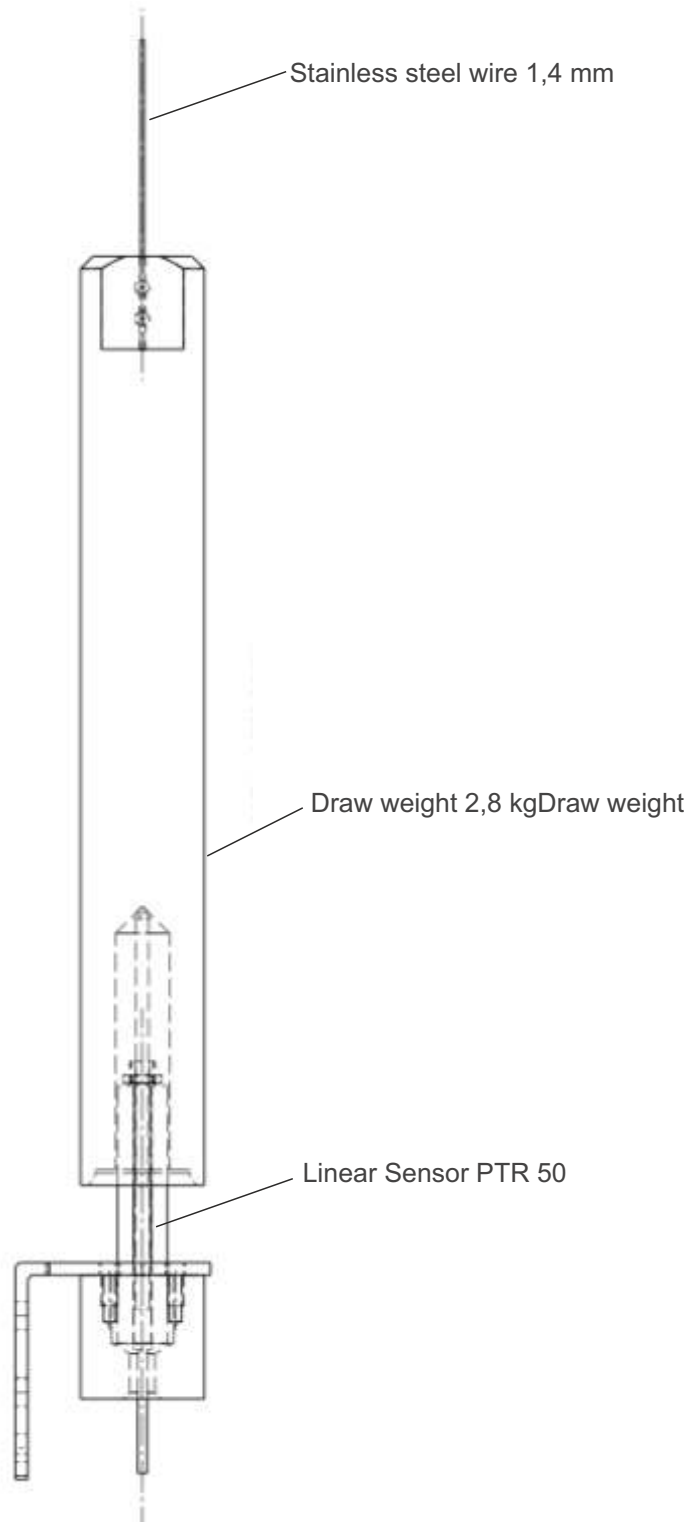


**POSITION CONTROL**  
MEASUREMENT ENGINEERING

## Extensometer Application



Isometrische Ansicht  
Maßstab: 1:2



Stainless steel wire 1,4 mm

Draw weight 2,8 kg Draw weight

Linear Sensor PTR 50