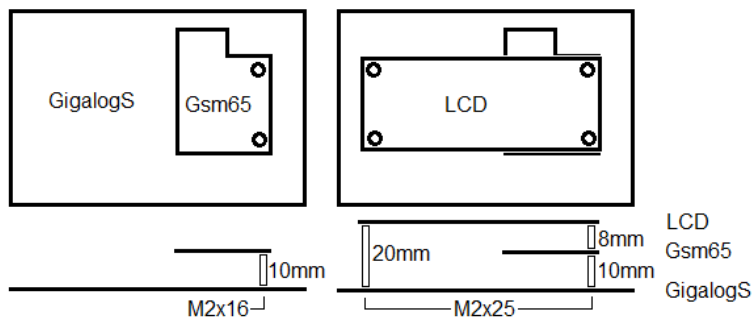
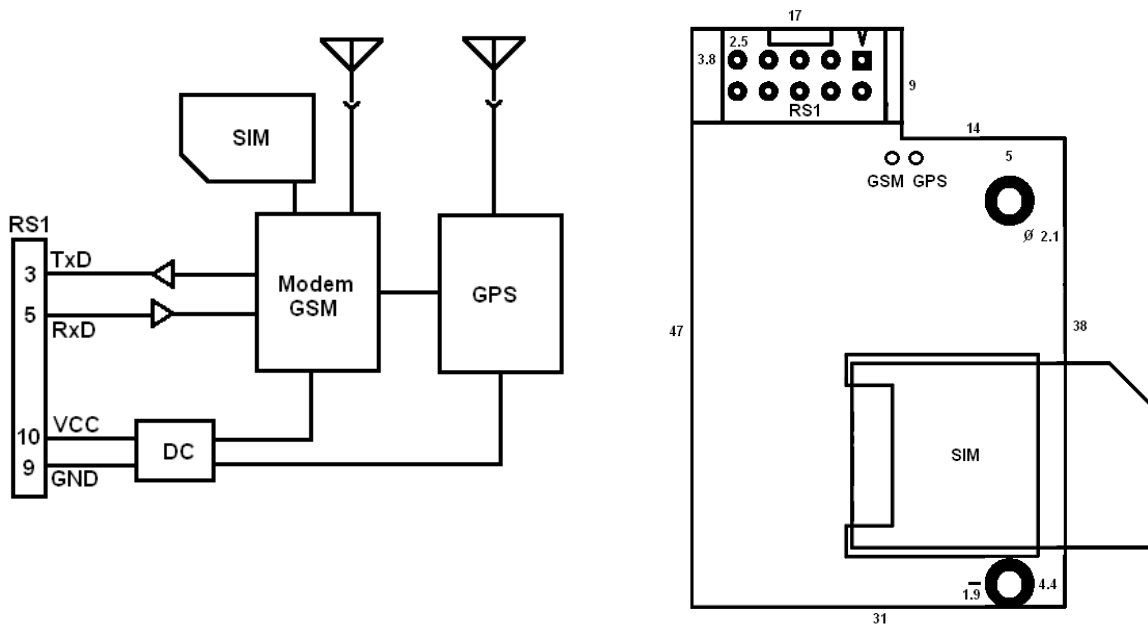
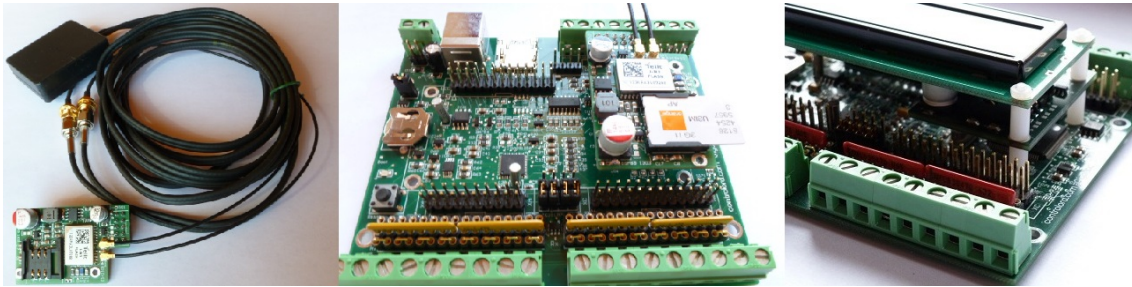


Gsm65



| | | |
|--------------------|----------------------------------|--------------|
| GSM | Telit GL865, Dual, 900, 1800 MHz | |
| GPS | Telit JN3, 48 ch., NMEA | |
| Supply voltage VCC | min | 6 V |
| | max | 23 V |
| Supply current | max on Gigalog S | 15 V |
| | VCC=6v idle GSM only | 18 mA |
| | VCC=6V idle GSM + GPS | 55 mA |
| | VCC=6V peak | 1200 mA |
| | VCC=12v idle GSM only | 10 mA |
| | VCC=12V idle GSM + GPS | 30 mA |
| RxD | 0 (mark) | -12 .. 0.8 V |
| | 1 | 2.8.. +12 V |
| TxD | 0 (mark) 4mA | 0..0.4 V |
| | 1 4mA | 3.4 ..4.2 V |
| Size | | 47 x 31 mm |

Connector RS1: IDC type female spacing= 2.54 mm.

| | | | | |
|-----|---|-----|-----|---|
| 9 | 7 | 5 | 3 | 1 |
| GND | | RxD | TxD | |
| VCC | | | | |
| 10 | 8 | 6 | 4 | 2 |

Connector antennas: UFL male.

Serial interface Rs232 compatible, not compliant.

Programming modem GSM: See Telit AT Commands Reference Guide Rev. 10

Programming GPS: Refer to Gigalog S manual

For software integration, see Gigalog S manual

Ordering

| | |
|----------|--|
| GSM65a | GSM65 board, GSM, antennas GSM, interface cable for antenna |
| GSM65b | GSM65 board, GSM, GPS, antennas GSM+GPS, interface cables for antennas |
| GSM65oem | GSM65 board, GSM, GPS |
| GSM65ant | antennas GSM+GPS, interface cables for antennas |