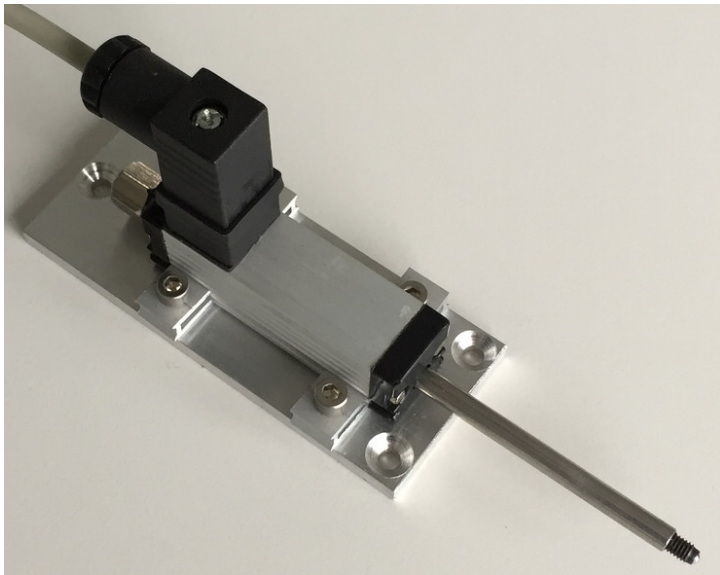


Datasheet



- Spring System
- Potentiometric Measuring
- Between 10 mm to 150 mm Electrical Ranges
- High Resolution
- Very Long Life Up To 100 Million Movements
- High Operating Speed 5 m/s
- Small Sizes

PC-PTT series is the industry proven system on both actuator shaft and spring.

PC-PTT is a high precision potentiometric industrial linear motion transducer with a long lasting conductive track suitable for absolute position measuring in control measurement applications.

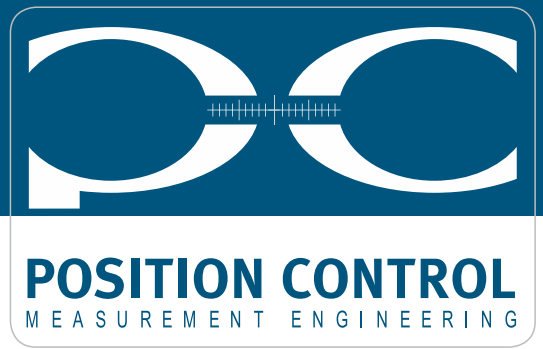
PC-PTT Series 0-10 VDC or 4-20 mA Analog Output

Transducers are used in:

- Geotechnical engineering
- Crack Meter
- Tension Control
- Structural Monitoring
- Transfer Machines
- Hydraulic Machines
- Sheet Metal Working Machines
- Bending Presses
- Textile Machines

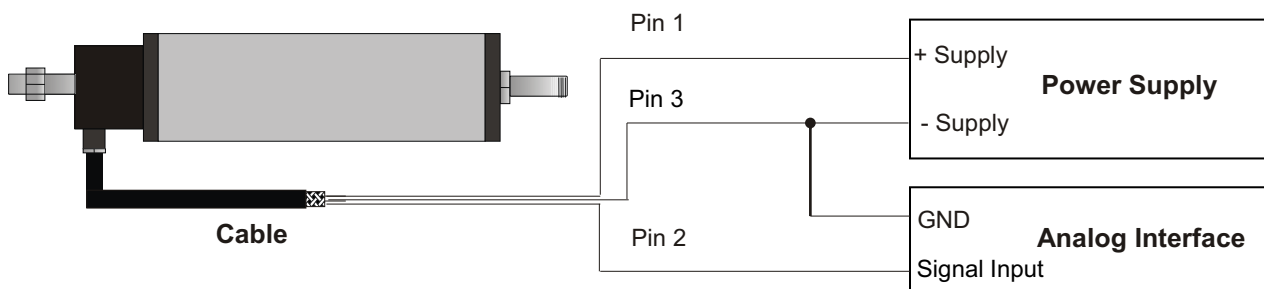
Technical Specifications	
Defined Electrical Ranges (mm)	10 – 25 – 50 – 75 – 100 - 150
Resistance Element	Conductive Plastic
Output Signals	0-10 VDC or 4-20 mA Analog Output
Independent Linearity	± 0,15
Electrical Connection	4 pin female DIN43650
Power Supply	24 VDC
Resistance	5K Ohm
Operating Temperature	-30°C +90°C
Life	100 Million Movements
Rod Material	Stainless Steel
Housing Material	Anodized Aluminum

Potentiometric Sensor: PC-PTT

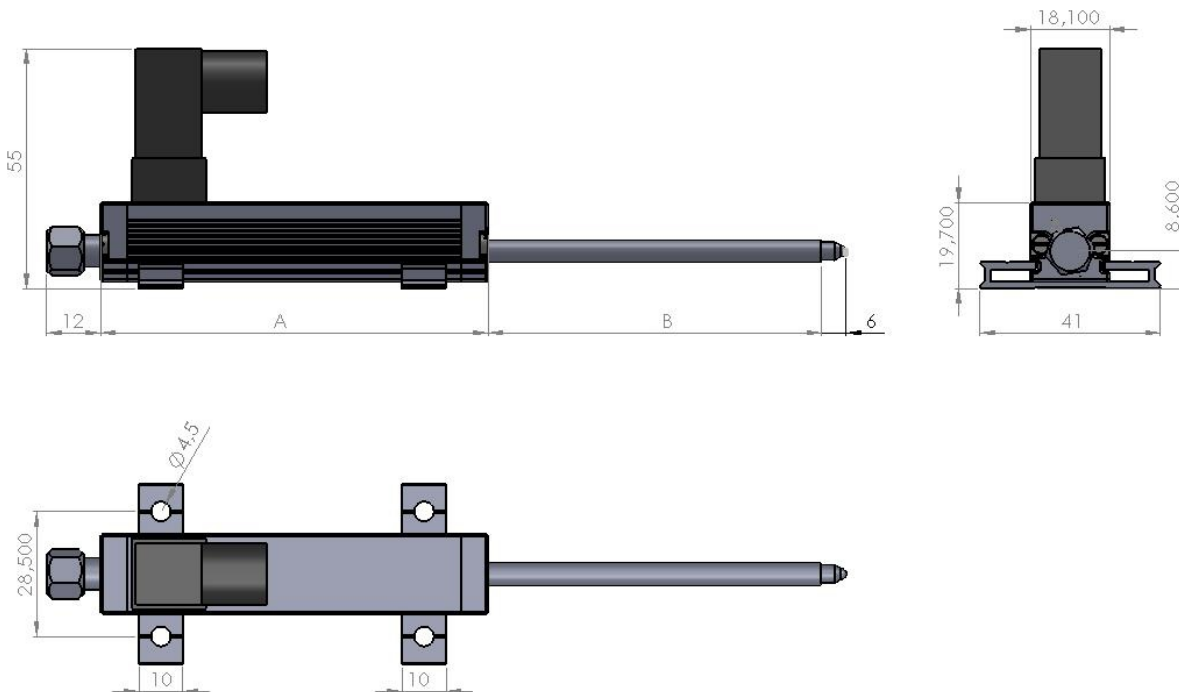


Connection

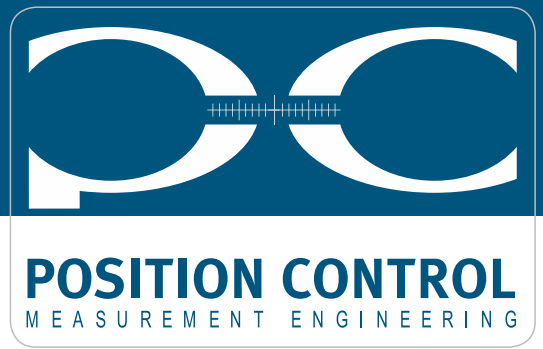
SAMPLE APPLICATION



Mechanical Dimensions



Potentiometric Sensor: PC-PTT



Strokes (mm)	10	25	50	75	100	150
A	48	63	95	135	167	227
B	16	57	82	107	132	182
Electrical Stroke	10	25	50	75	100	150
Mechanical Stroke	12	27	52	77	102	152

Order Code

Model No

Defined Stroke Range

Several standard lengths from 50 mm to 750 mm
*other lengths on request

P T T - 1 0 0 - C

Output

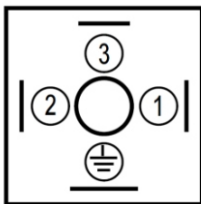
C : 0-10 VDC Analog Output
A : 4-20 mA Analog Output



Included in Delivery

1 Connector / 4 pin female socket

Connections



10 VDC or 4-20 mA ANALOG OUTPUT

1. +24 VDC Supply
2. Analog Output
0-10 VDC Analog Output
or
4-20 mA Analog Output
3. GROUND
4. SHIELD